

ANDRIS RS



COMFORT

- Temperature regulation

EFFICIENCY&ENERGY SAVING

- Ecological polyurethane insulation

QUALITY

- Glasslined inner tank tested at 16 bar
- Oversized magnesium anode
- Pressure safety valve tested at 8 bar
- Copper heating element
- 4 bolts flange

DESIGN

- Modern aesthetic

everyday
comfort



علامة الجودة الإماراتية
Emirates Quality Mark



TECHNICAL DATA

		ANDRIS RS 10	ANDRIS RS 10U	ANDRIS RS 15	ANDRIS RS 15U	ANDRIS RS 30
Nominal Capacity	L	10	10	15	15	30
Installation		Oversink	Undersink	Oversink	Undersink	Oversink
Power	kW	1.2	1.2	1.2	1.2	1.5
Voltage	V	230	230	230	230	230
Heating time (ΔT=45°C)	h.min	0.29	0.29	0.44	0.44	1.1
Heat dispersion at 65°C	kWh/24h	0.43	0.55	0.53	0.65	0.61
Max working pressure	bar	8	8	8	8	8
Max working temperature	°C	80	80	80	80	80
Weight	kg	6.6	6.6	7.4	7.4	12.8
Protection	IP	IPX1	IPX1	IPX1	IPX1	IPX1

OVERALL DIMENSIONS

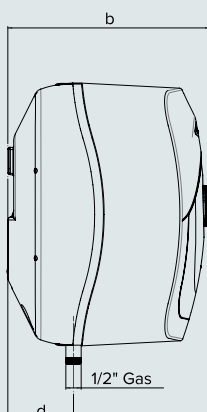
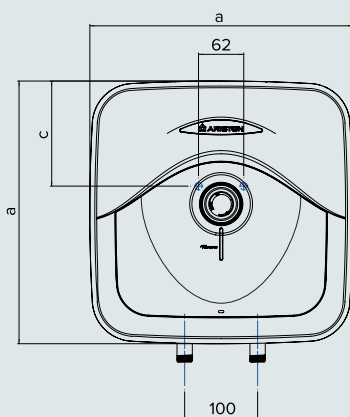
		mm	mm	mm	mm	mm
a		360	360	360	360	447
b		298	298	346	346	410
c		144	144	144	144	165
d		92	92	78	78	114

CODE (UAE)

3100805 3100806 3100807 3100808 3100809

CODE

3100631 3100632 3100633 3100634 3100635



NOTE: The Nominal capacity listed in this catalogue identifies the product category. The actual product capacity is listed in the relative technical documentation.