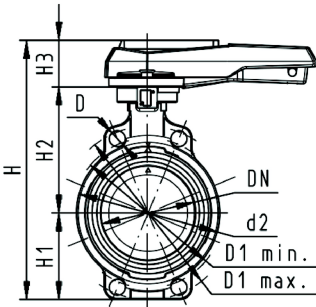




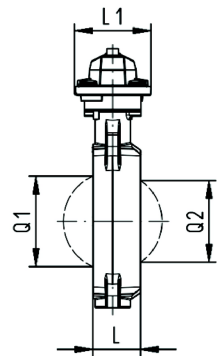
Wafer-style, intermediate installation butterfly valve type 567 PVC-C
With hand lever
Flange standard metric/ANSI/BS/JIS

Model:

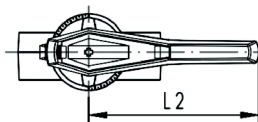
- Overall length according to EN 558, ISO 5752
- Connecting dimension: ISO 7005 PN 10, EN 1092 PN 10, DIN 2501 PN 10, ANSI/ASME B 16.5 Class 150, BS 1560: 1989, BS 4504, JIS B 2220



d (mm)	Size (inch)	DN (mm)	PN (bar)	kv-value ($\Delta p=1$ bar) (L/min)	EPDM Code	SP	Weight (kg)	FKM Code	SP	Weight (kg)
63	2	50	10	740	163 567 002	1	1.257	163 567 022	1	1.268
75	2 ½	65	10	1500	163 567 003	1	1.366	163 567 023	1	1.174
90	3	80	10	2400	163 567 004	1	1.542	163 567 024	1	1.997
110	4	100	10	3800	163 567 005	1	2.231	163 567 025	1	2.715
140	5	125	10	8600	163 567 006	1	2.820	163 567 026	1	2.536
160	6	150	10	11400	163 567 007	1	4.000	163 567 027	1	3.361
225	8	200	10	19900	163 567 008	1	5.873	163 567 028	1	6.803
280	10	250	10	34000	163 567 009	1	14.328	163 567 029	1	12.998
315	12	300	10	50000	163 567 010	1	18.899	163 567 030	1	19.139



d (mm)	PTFE Code	Weight (kg)
63	163 567 202	1.257
75	163 567 203	1.366
90	163 567 204	1.542
110	163 567 205	2.231
140	163 567 206	2.820
160	163 567 207	6.719
225	163 567 208	5.873
280		
315		



d (mm)	d2 (mm)	D (mm)	D1 min. (mm)	D1 max. (mm)	H (mm)	H1 (mm)	H2 (mm)	H3 (mm)	L (mm)	L1 (mm)	L2 (mm)	Q1 (mm)	Q2 (mm)
63	104	19	120	125	264	77	134	54	45	106	205	40	
75	115	19	140	145	277	83	140	54	46	106	205	54	35
90	131	19	150	160	289	89	146	54	49	106	205	67	50
110	161	19	175	191	325	104	167	55	56	106	255	88	74
140	187	23	210	216	352	117	181	55	64	106	255	113	97
160	215	24	241	241	373	130	189	55	72	106	255	139	123
225	267	23	290	295	435	158	210	67	73	140	408	178	169
280	329	25	353	362	555	205	264	85	113	149	408	210	207
315	379	25	400	432	599	228	285	85	113	149	408	256	253

The technical data are not binding. They neither constitute expressly warranted characteristics nor guaranteed properties nor a guaranteed durability. They are subject to modification. Our General Terms of Sale apply.

Georg Fischer Piping Systems Ltd, Postfach, CH-8201 Schaffhausen/Switzerland

Phone +41 -(0)52-631 1111

e-mail: info.ps@georgfischer.com

Internet: <http://www.gfps.com>